



FDM225, FDM226

Sinteso™
Cerberus® PRO

Manual call points



addressable (FDnet/C-NET)

- Manual call points for the addressable Sinteso FS20 and Cerberus FS720 fire detection system
- Manual call point with direct operation
- Two-wire installation for all types of cable
- Optional connection terminals (3-pole, 1... 2.5 mm²) for connection of cable shielding
- Communication via FDnet/C-NET (individual addressing)
- FDM225 for surface and recess mounting
- FDM226 for surface mounting with IP66
- Type with break glass or with resettable plastic element

Characteristics

- **Environmental**
 - ecologically processing
 - recyclable materials
 - electronic and synthetic material simple separable
- **Characteristics**
 - protected electronic
 - alarm indicator (LED) built-in
 - integrated line separator

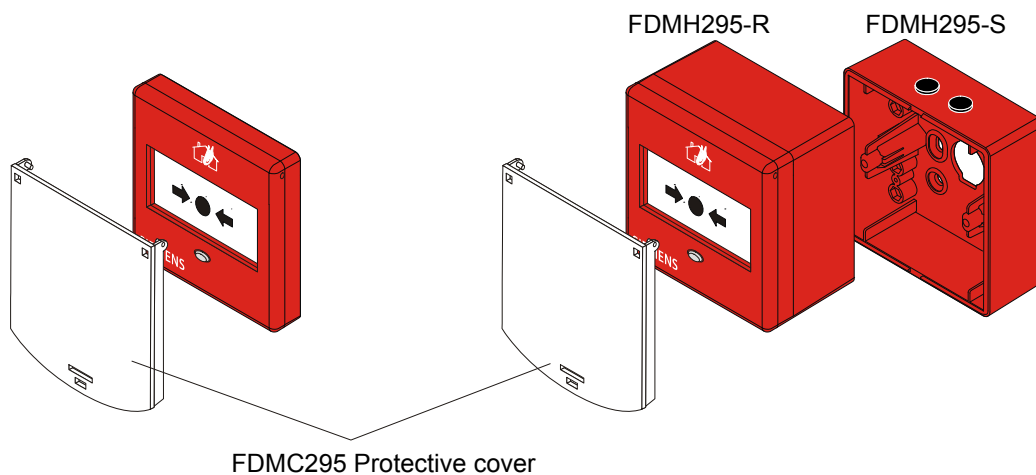
FDM225 Manual call points

Recess mounting

- FDM225-RG with glass plate
- FDM225-RP with resettable plastic element

Surface mounting

- FDM225-RG with glass plate
- FDM225-RP with resettable plastic element
- FDMH295-R housing base
- FDMH295-S housing base with 2 holes on top fitted with grommet for cable Ø5 mm



● **Function FDM225-RG**

- direct alarm actuation by pushing in the glass plate
- by replacing the glass plate the push button is set back and the device is ready for operation again
- an additional protective cover FDMC295 protects the manual call point from unintentional glass break

● **Function FDM225-RP**

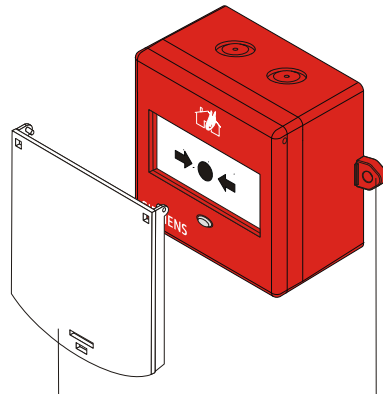
- direct alarm actuation by pushing on the plastic element
- the switch is set back with the key and the device is ready for operation again

● **Application**

- for the immediate manual actuation of a fire alarm
- for indoor and outdoor application
- for surface and recess mounting in easily accessible places
- For surface-mounted feed lines to the FDMH295-R, a hole must be drilled into the top or bottom of the detector housing, use max. M20 screwed cable gland and back nut.

Surface mounting for IP66 applications

- FDM226-RG with glass plate, inclusive housing base and 2 fixing attachments
- FDM226-RP with resettable plastic element, inclusive housing base and 2 fixing attachments



FDMC295 Protective cover

● **Function FDM226-RG**

- direct alarm actuation by pushing in the glass plate
- by replacing the glass plate the push button is set back and the device is ready for operation again
- an additional protective cover FDMC295 protects the manual call point from unintentional glass break

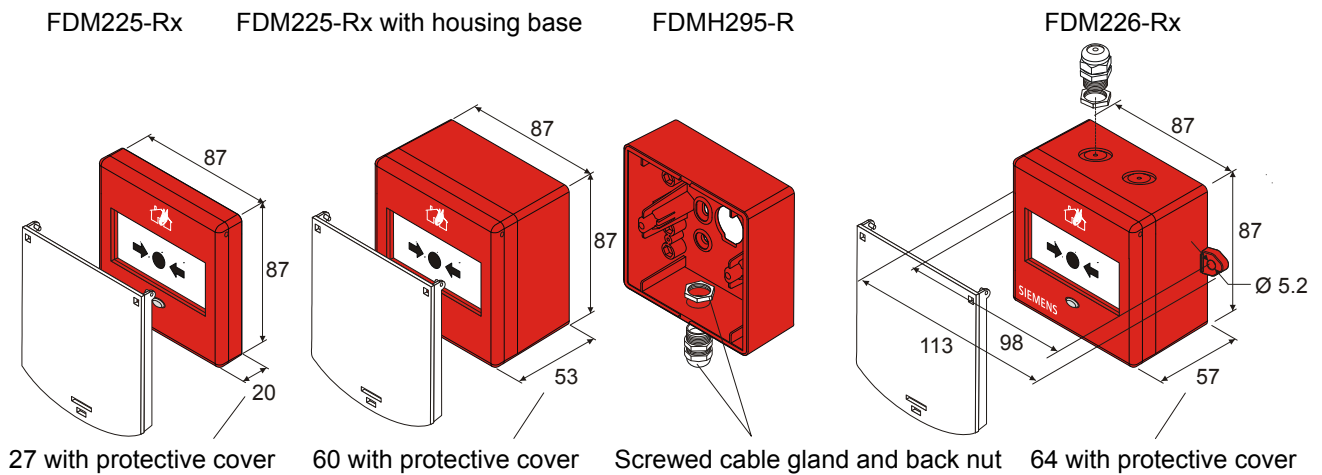
● **Function FDM226-RP**

- direct alarm actuation by pushing on the plastic element
- the switch is set back with the key and the device is ready for operation again



● **Application**

- for the immediate manual actuation of a fire alarm
- for indoor and outdoor application
- for surface mounting in easily accessible places
- For surface-mounted feed lines with multiple cable glands allowing top and bottom break outs for max M20 screwed cable gland and back nut.

Dimensions



Technical data

FDM225-RP, FDM225-RP (F)	Operating voltage	13... 33 VDC			
FDM225-RG, FDM225-RG (F)	Operating current (quiescent)	180 µA			
 Siemens Schweiz AG, CH-6301 Zug Date: see manufacturing date on the product 0832-CPD-0747	Operating temperature	-25... +70 °C			
	Storage temperature	-30... +75 °C			
EN54-11, EN54-17 Manual call point; Safety in case of fire FDM225-RP, FDM225-RP (F) FDM225-RG, FDM225-RG (F) Technical data see Doc. 009757	Humidity (no condensation)	≤95 % rel.			
	Communication protocol	FDnet/C-NET			
	Terminal block	0.28... 1.5 mm ²			
	Color	red, ~RAL 3000			
Protection category EN60529 / IEC529					
– FDM225 IP44					
– FDM226 IP66					
FDM226-RP, FDM226-RG	Standards	EN54-11, EN54-17			
 Siemens Schweiz AG, CH-6301 Zug Date: see manufacturing date on the product 0832-CPD-0748	Approvals	FDM225-RP	FDM225-RG	FDM226-RP	FDM226-RG
		FDM225-RP (F)	FDM225-RG (F)		
EN54-11, EN54-17 Manual call point; Safety in case of fire FDM226-RP, FDM226-RG Technical data see Doc. 009757	– VdS	G207092	G207092	G209194	G209194
	– LPCB	126ap/01	126ap/02	126ap/03	126ap/04
		126ap/10	126ap/11		
System compatibility					
– FDnet FS20, AlgoRex, SIGMASYS					
– C-NET FS720					
QS standards		Siemens Standard SN 36350			

Details for ordering

	Type	Part no	Designation	Weight
FDM225	FDM225-RG	A5Q00013434	Manual call point with glass plate	0.132 kg
	FDM225-RP	A5Q00012020	Manual call point with plastic element	0.127 kg
	FDM225-RG (F)	A5Q00020274	Manual call point with glass plate for 'France'	0.132 kg
	FDM225-RP (F)	A5Q00020273	Manual call point with plastic element for 'France'	0.127 kg
	FDMH295-R	A5Q00013437	Housing base	0.056 kg
	FDMH295-S	A5Q00013438	Housing base with holes and socket	0.050 kg
	–	A5Q00004478	Screwed cable gland M20 x 1.5	0.039 kg
FDM226	–	A5Q00004479	Back nut M20	0.006 kg
	DBZ1190-AB	BPZ:4942340001	Connection terminal 2.5 mm ² , 3-pole	0.007 kg
	FDM226-RG	A5Q00013435	Manual call point with glass plate incl. housing base	0.358 kg
	FDM226-RP	A5Q00013436	Manual call point with plastic element incl. housing base	0.348 kg
Accessories for FDM225/226	FDMC295	A5Q00013440	Protective cover	0.038 kg
	FDMG295	A5Q00013442	Glass plate 'UK', without text	0.071 kg
	FDMG295-S	A5Q00013444	Glass plate 'Sweden'	0.071 kg
	FDMP295	A5Q00013445	Plastic element 'UK'	0.047 kg
	FDMP295-S	A5Q00013447	Plastic element 'Sweden'	0.047 kg
Spare parts	FDMK295	A5Q00013448	Key	0.035 kg
	FDMG295-F	A5Q00013443	Glass plate 'France'	0.071 kg
	FDMP295-F	A5Q00013446	Plastic element 'France'	0.047 kg

Details see equipment overview 008164, A6V10225323

Details about system compatibility see List of compatibility 008331

Siemens Switzerland Ltd
 Industry Sector
 Building Technologies Division
 International Headquarters
 Fire Safety & Security Products
 Gubelstrasse 22
 CH-6301 Zug
 Tel. +41 41 724 24 24

www.siemens.com/buildingtechnologies

Document no. **009023_j_en_--**

Edition 11.2009

© 2009 Copyright by
 Siemens Switzerland Ltd

Data and design subject to change without notice.
 Supply subject to availability.

Manual FD20 / FD720

Section 4 / 4