



FDCI221, FDCIO221

Cerberus® PRO
Sinteso™

Input module Input/output module



For the automatic addressable detector bus FDnet/C-NET

- **Input module FDCI221**
 - 1 monitored contact input for the message of technical states or for alarm actuation
- **Input/output module FDCIO221**
 - 1 control output with potential-free relay contacts for the control of fire doors, ventilation, air conditioning, elevator control installations
 - 1 monitored contact input for the message of technical states or for alarm actuation
- **Microprocessor-controlled signal evaluation**
- **Automatic address allocation during commissioning**
- **LED display of input and output status, localization**
- **Two-wire installation for all types of cable**
- **Power supply via FDnet/C-NET**
- **Communication via FDnet/C-NET (individual addressing)**
- **Applicable in dry, dusty and humid areas**
- **Different mounting possibilities**

Characteristics

- **Environmental**

- ecologically processing
- recyclable materials
- electronic und synthetic material simple separable

- **Characteristics**

- transparent housing for good visibility of the indicators
- protected electronics
- integrated line separator
- Automatic address allocation during commissioning
- temporal status monitoring
- power supply via FDnet/C-NET, auxiliary power supply only required if the output is configured as monitored
- applicable in dry areas, use auxiliary housing for application in dust and humid/wet areas

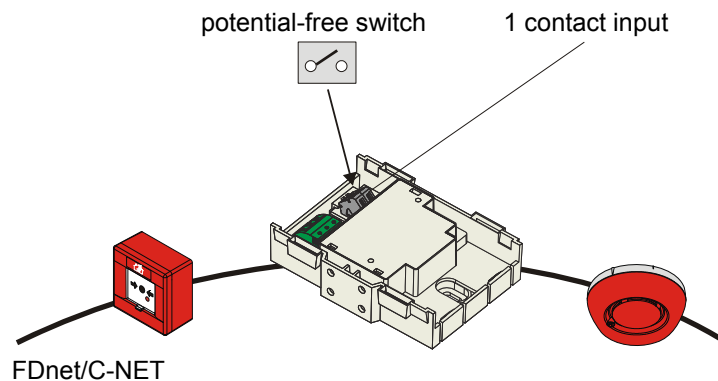
Input module FDCI221

- **Function**

- 1 input for potential-free contact
- The input line is monitored for open line and short circuit (termination resistors).
- The input can be configured via the fire control panel for status or alarm messages.
- status indication by LED

- **Application**

- For the connection of 1 potential-free make or break contact for the message of technical states (e.g. door or ventilation control) or for alarm actuation (e.g. sprinkler alarm).



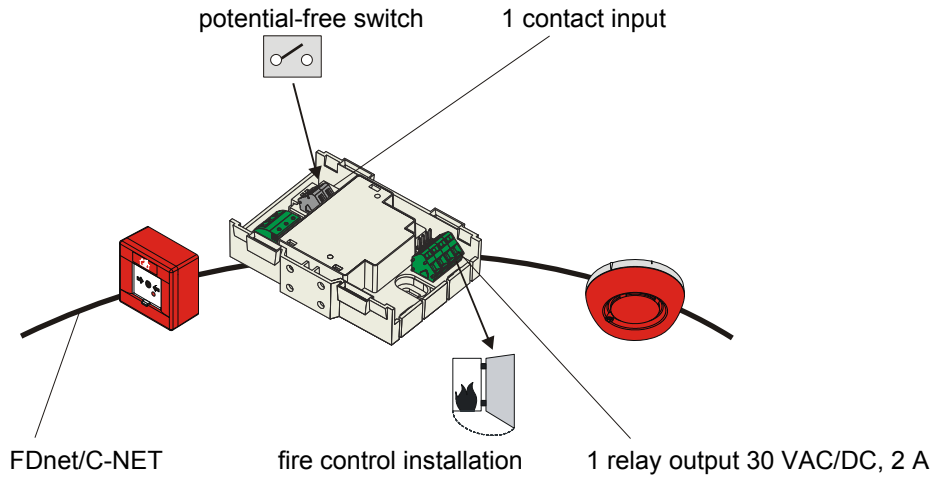
Input/output module FDCIO221

- **Function**

- 1 input for potential-free contact
- The input line is monitored for open line and short circuit (termination resistors).
- The input can be configured via the fire control panel.
- 1 output configured via jumper
 - not monitored -> 1 potential-free relay contact (30 VAC, 2 A / 30 VDC, 2 A)
 - monitored -> 1 relay contact (30 VDC, 2 A)
- status indication by LED

● **Application**

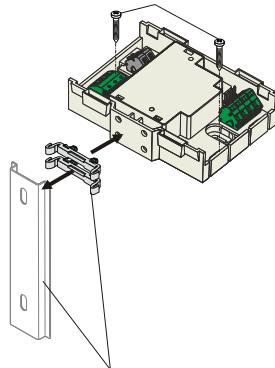
- For the connection of 1 potential-free make or break contact for the message of technical states (e.g. door or ventilation control) or for alarm actuation (e.g. sprinkler alarm).
- For the decentralized control of fire doors, ventilation, air conditioning



Installation

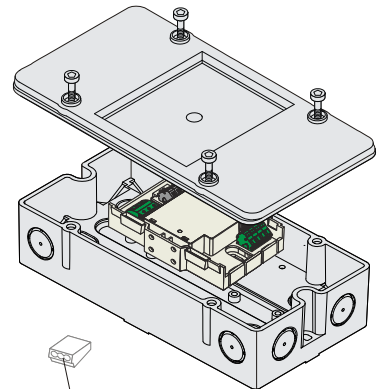
- screw directly onto plane surface area
- mounting (series mounting) top hat rail TS35
- surface- or recess-mounted cable ducts
- in housing FDCH221 with cover, seal and screws for wet applications

Installation directly in switching cabinet / control panel



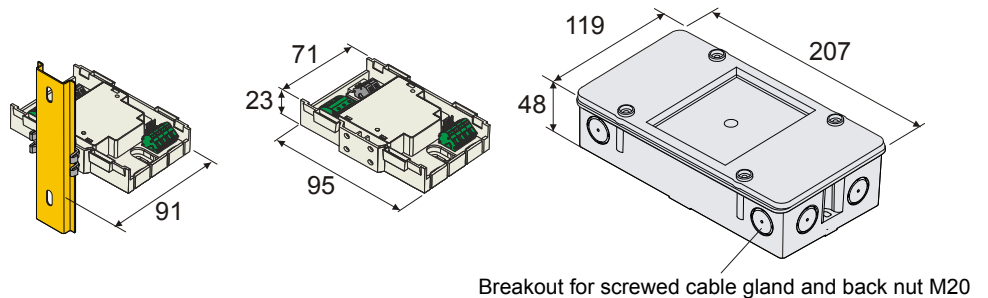
Installation in range with enclosed mounting feeds at top U rail TS35

Installation in separately housing FDCH221




For shielding cables use connection terminals DBZ1190-AB

Dimensions



Technical data

FDCI221		FDCI221	FDCIO221
 Siemens Schweiz AG, CH-6301 Zug Date: see manufacturing date on the product 0786-CPD-20709 EN54-17, EN54-18 Input module; Safety in case of fire FDCI221 Technical data see Doc. A6V10200224	Operating voltage	12... 33 VDC	12... 33 VDC
	Operating current (quiescent)	max. 0.3 mA	max. 0.4 mA
	Relays output (ohm)	–	30 VAC, 2 A, max. 60 VA 30 VDC, 2 A, max. 60 W
Line resistance (Input)		Max. 20 Ω	Max. 20 Ω
Operating temperature		-25... +70 °C	-25... +70 °C
Storage temperature		-30... +75 °C	-30... +75 °C
Humidity		≤95 % rel.	≤95 % rel.
Communication protocol		FDnet/C-NET	FDnet/C-NET
Connection terminals		0.2... 2.5 mm ²	0.2... 2.5 mm ²
Color			
– Housing		white, ~RAL 9010	white, ~RAL 9010
– Cover		transparent matt	transparent matt
– Aux. housing FDCH221		white, ~RAL 9010	white, ~RAL 9010
Protection category EN60529 / IEC529		IP30	IP30
– with aux. housing FDCH221		IP65	IP65
Standards		EN54-17, EN54-18	EN54-17, EN54-18
Approvals			
– VdS		G209066	G209067
– LPCB		531h/01	531h/02
System compatibility			
– FDnet			FS20
– C-NET			FS720
QS standards		Siemens Standard SN 36350	

Details for ordering

Type	Part no	Designation	Weight
FDCI221	S54312-F1-A1	Input module 1 input, incl. 2 resistors, 2 mounting feeds	0.056 kg
FDCIO221	S54312-F2-A1	Input/output module (1 input / 1 output), incl. 2 resistors and 2 mounting feeds	0.062 kg
FDCH221	S54312-F3-A1	Housing with cover, seal and screws	0.280 kg
–	A5Q00004478	Metal screwed cable gland M20 x 1.5	0.039 kg
–	A5Q00004479	Back nut M20	0.006 kg
DBZ1190-AB	BPZ:4942340001	Connection terminal 1.0... 2.5 mm ² (3-pole)	0.002 kg
Spare parts	FDCM291	A5Q00003855 Mounting feeds (25 pcs.)	0.060 kg

Details see equipment overview 008164 (Sinteso), A6V10225323 (Cerberus PRO)

Siemens Switzerland Ltd
 Industry Sector
 Building Technologies Division
 International Headquarters
 Fire Safety & Security Products
 Gubelstrasse 22
 CH-6301 Zug
 Tel. +41 41 724 24 24
www.siemens.com/buildingtechnologies

© 2009 Copyright by
 Siemens Switzerland Ltd
 Data and design subject to change without notice.
 Supply subject to availability.